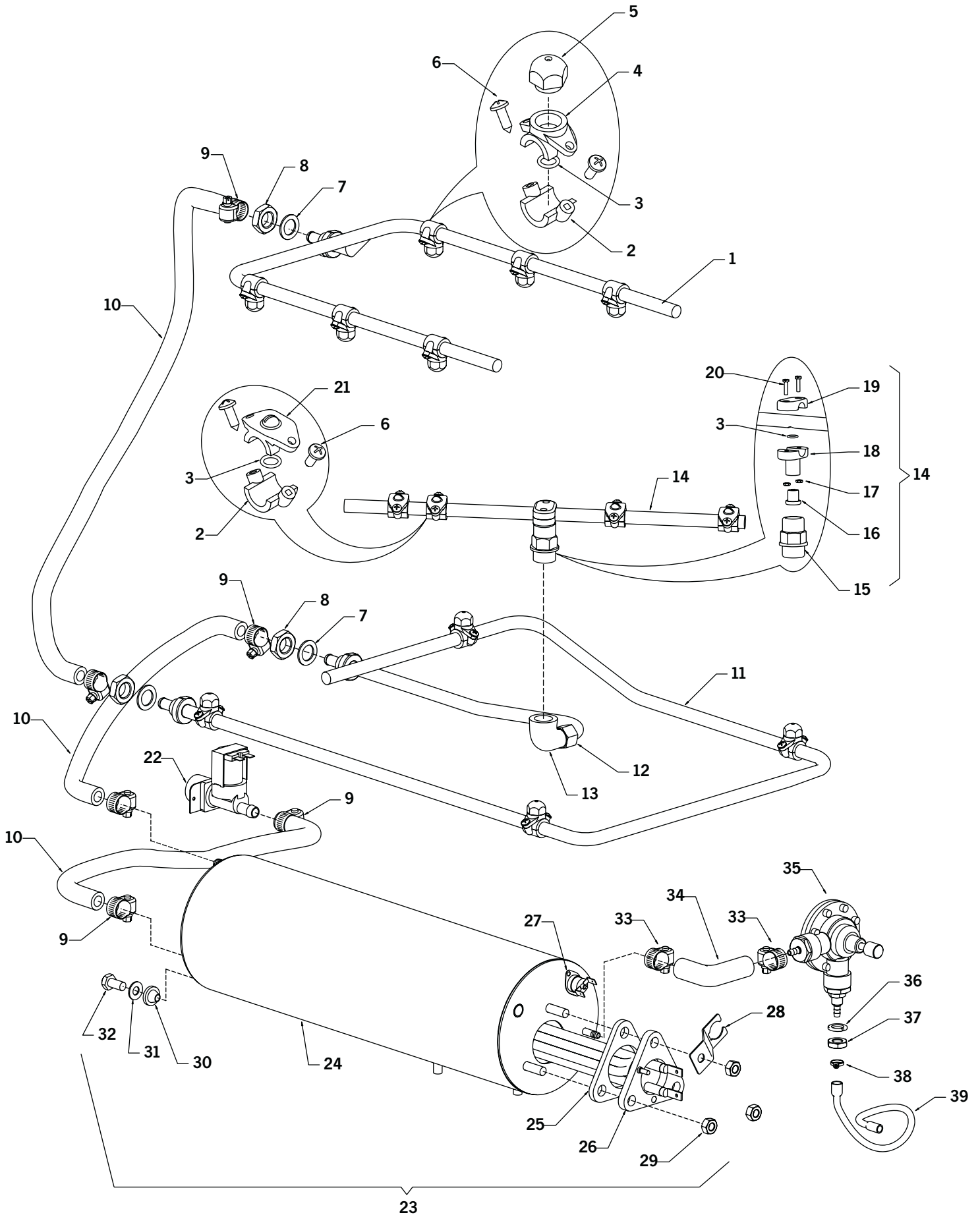


Mechanical parts LC-2000/LC-2300

NUMBER	CODE	DENOMINATION
1	A320049	ELECTRIC PANEL ASSEMBLY LC-2000/2300
2	A460002	MAGNETIC SWITCH WITH SUPPORT
3	A460002F4	MAGNETIC SWITCH SUPPORT
4	A030250	MAGNETIC SWITCH
5	A450002	MAGNETIC PUSH ASSEMBLY
6	A030252	MAGNET (ALL MODELS)
7	A290001	DOOR CATCHL ASSEMBLY
8	A050080I	STAINLESS STEEL INNER NUT DOOR CATCH
9	A060067	BALL CATCH SPRING
10	A050116	DOOR CATCH STEEL BALL
11	A050270	STAINLESS STEEL CATCH BODY
12	A050081I	STAINLESS STEEL OUTER NUT DOOR CATCH
13	A320021/1	CONTROL PANEL ASSEMBLY LC-2000 WITH TEMPERATURE INDICATORS
13	A320017/1	CONTROL PANEL ASSEMBLY LC-2300 WITH TEMPERATURE INDICATORS
14	A060040	U LOCK NUT TR-522 1C
15	A060125	STAINLESS STEEL SCREW DIN7981 6*9'5
16	A040241	DOOR STOP SCREW PLASTIC COVER
17	A300024	FRONT DOOR LC-2000/2300/2300TR
18	A310021	COMPLETE BASE DOOR LC-2000/2300/2300TR
19	A700113	RINSING AID LIQUID TANK
20	A040219	RINSING AID LIQUID TANK GUIDE
21	A050090	LOWER FIXING NUT M6
22	A060153	STAINLESS STEEL SAFETY WASHER Ø 8 MM. DIN 6799
23	A030018PLF	2000 W HEATING ELEMENT
24	A030402	TANK FLAT HEATING ELEMENT GASKET
25	A030401	TANK FLAT HEATING ELEMENT WASHER
26	A030403	TANK FLAT HEATING ELEMENT NUT
27	A040043	PRESSURE SWITCH HOOD RUBBER GASKET
28	A030067/3	TANK 2000W SAFETY THERMOSTAT
29	A000421F1	TANK SAFETY THERMOSTAT FASTENING
30	A709100	CONDENSER FAN SUPPORT CLAMPING WASHER
31	A060024	MAGNETIC CASE FASTENING WASHER M6
32	A040300	FILTER CLAMP KNOB
33	A430011	MEDIUM FILTER RUBBER GASKET LC-2000/2300/2300TR
34	A040119	LARGE PLASTIC FILTER CONNECTOR
35	A040053	FILTER CONNECTOR GASKET WITH HOLES
36	A001354F4	BASKET WELDED GUIDES ASSEMBLY (LC-1700/LC-2000)
36	A002354F4	BASKET WELDED GUIDES ASSEMBLY (LC-2300/LC-2300TR)
37	A040211	130 MM DRAIN PLUG
38	A700007	DRAIN CONNECTOR ASSEMBLY (NEW)
39	A040124	DRAIN CONNECTOR
40	A040044	DRAIN CONNECTOR FLAT GASKET
41	A040170	MODERN PLASTIC DRAIN ELBOW
42	A700102	PRESSURE SWITCH AIR BELL ASSEMBLY
43	A040308	PRESSURE SWITCH HOOD BODY
44	A040024	PRESSURESTAT HOOD O-RING 33*29*2
45	A040304	PRESSURE SWITCH HOOD HEAD
46	A050034	STAINLESS STEEL PROBE CAP
47	A040013	FLAT CLAMPING 23,5*15*1,5
48	A060027E	STAINLESS STEEL GRIP NUT DIN 936 M16
49	A040319	THERMOMETER PROBE RUBBER FIXING
50	A060104	STAINLESS STEEL SCREW M8*10 C/E
51	A040037	FLAT RUBBER GASKET 15*8*2
52	A060022	STAINLESS STEEL BOILER HEATING ELEMENT FIXING NUT M8
53	A700270	REAR COVER LC-2000/2300/2300TR
54	A040320	PROTECTION FEED-THROUGH
55	A060041	U LOCK NUT TR-536 B
56	A700207	TOP COVER LC 2000
56	A700210	TOP COVER LC 2300/2300TR
57	A060124	STAINLESS STEEL SCREW DIN7981 4'2*25
58	A060112	ZINZING SCREW M10*40 (ADJUSTABLE FEET)

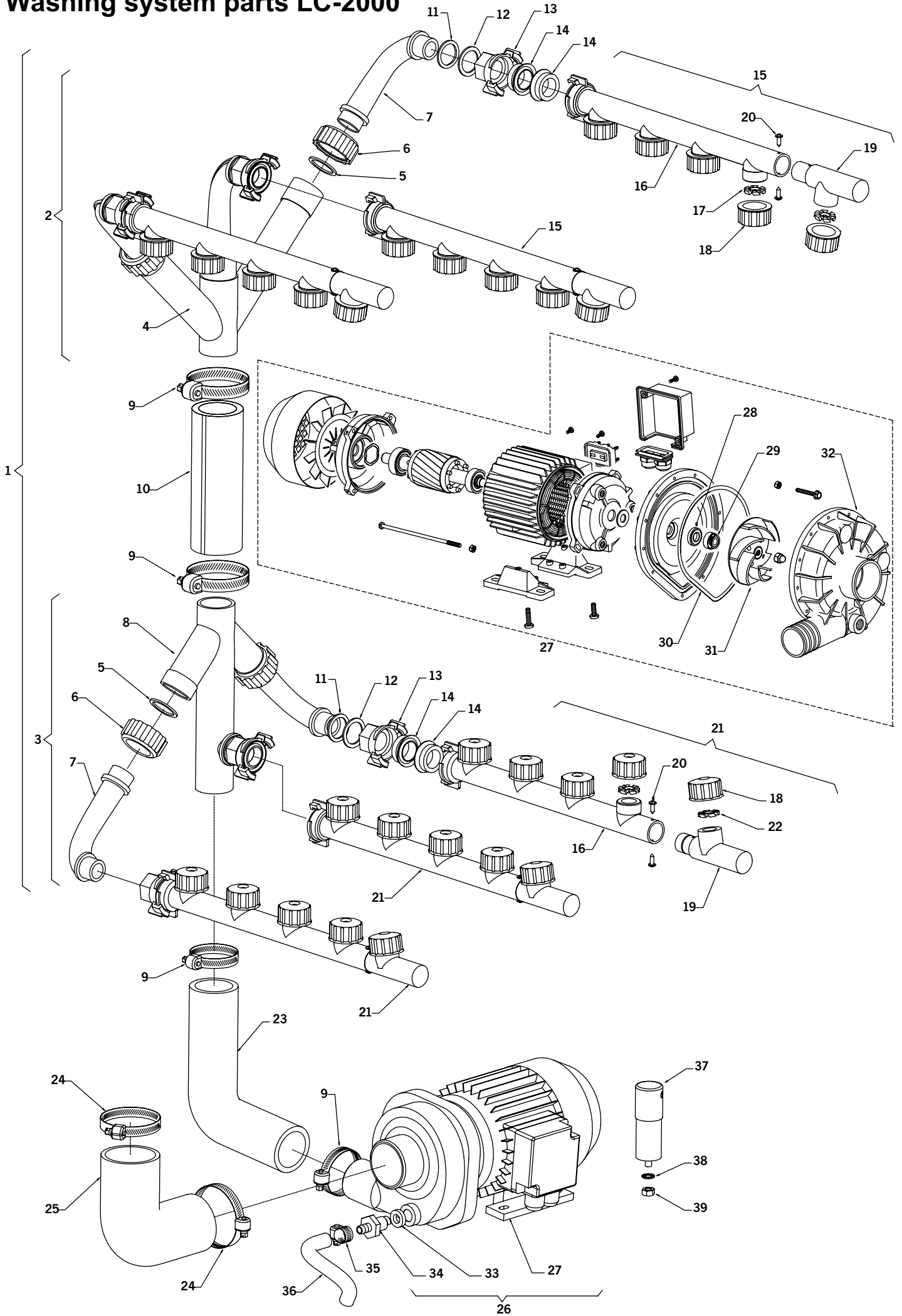
Rinsing system parts LC-2000



Rinsing system parts LC-2000

NUMBER	CODE	DENOMINATION
1	A220021I	STAINLESS STEEL UPPER RINSE SHAFT ASSEMBLY LC-2000
2	A040075	RINSE INJECTOR SUPPORT
3	A040029	O-RING 6,07*1,78
4	A040076	FIXED RINSE INJECTOR SUPPORT
5	A040080	RINSE INJECTOR
6	A060123	DISPENSER STAINLESS STEEL SCREW C/EX. M6*55
7	A040040	RINSE CONNECTOR FLAT GAKET
8	A060027E	STAINLESS STEEL GRIP NUT DIN 936 M16
9	A060171	HYDRAULIC TUBE CLAMP
10	A040101	HYDRAULIC CIRCUIT HOSE
11	A210021I	STAINLESS STEEL LOWER RINSE SHAFT ASSEMBLY LC-2000
12	A050082I	FIXING NUT LOWER RINSING SHAFT
13	A040073	ELBOW WITH PLASTIC THREAD 1/2 GAS
14	A230021I	STAINLESS STEEL ROTATING SHAFT ASSEMBLY LC-140/1700/2000
15	A040225	ROTATING SHAFT SUPPORT
16	A050102	ROTATING SHAFT FIXING SCREW
17	A060019	MAGNETIC SWITCH FASTENING WASHER DIN 934 A-2 M3
18	A040078	ROTATORY SHAFT LOWER FLY WHEEL
19	A040077	ROTATORY SHAFT UPPER FLY WHEEL
20	A060117	STAINLESS STEEL SCREW DIN.84 A2 M3*12
21	A040074	ROTATORY RINSE INJECTOR
22	A020030	1-WAY SOLENOID VALVE
23	A260005/1	BOILER (HEATING ELEMENT INCLUDED) LC-2000/2300/2300TR/2600
24	A260004/1	BOILER (HEATING ELEMENT NOT INCLUDED) LC-2000/2300/2300TR/2600
25	A040047	RESISTOR TRIANGULAR GASKET
26	A030020	3000 W BOILER HEATING ELEMENT
27	A030067/1	BOILER SAFETY THERMOSTAT T40-95°C
28	A000412F2	BOILER SAFETY THERMOSTAT FASTENING
29	A060022	STAINLESS STEEL BOILER HEATING ELEMENT FIXING NUT M8
30	A040049	BOILER DRAIN TAPERED GASKET
31	A709098	BOILER PLUG STAINLESS WASHER
32	A060105	BOILER PLUG STAINLESS SCREW M8*16 C/E
33	A060170	8/16 CLAMP
34	A040100	13 X 5 RUBBER TUBE
35	A200001/2	RINSE AID LIQUID DOSER FILTER ASSEMBLY
36	A060155	GALVANISED GROWER WASHER M10
37	A060023E	STAINLESS STEEL GRIP NUT DIN 936 M10
38	A070303	NYLON Q-TIES REF.: 2221
39	A040105	PLASTIC TUBE

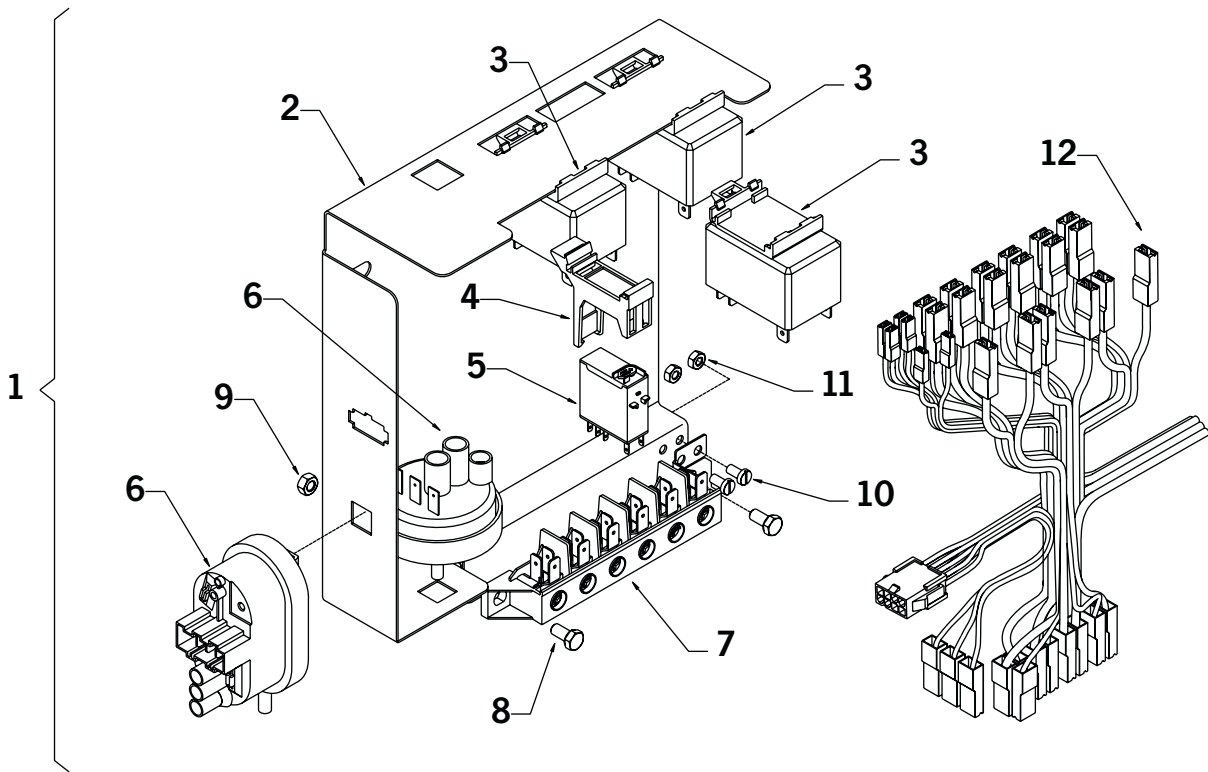
Washing system parts LC-2000



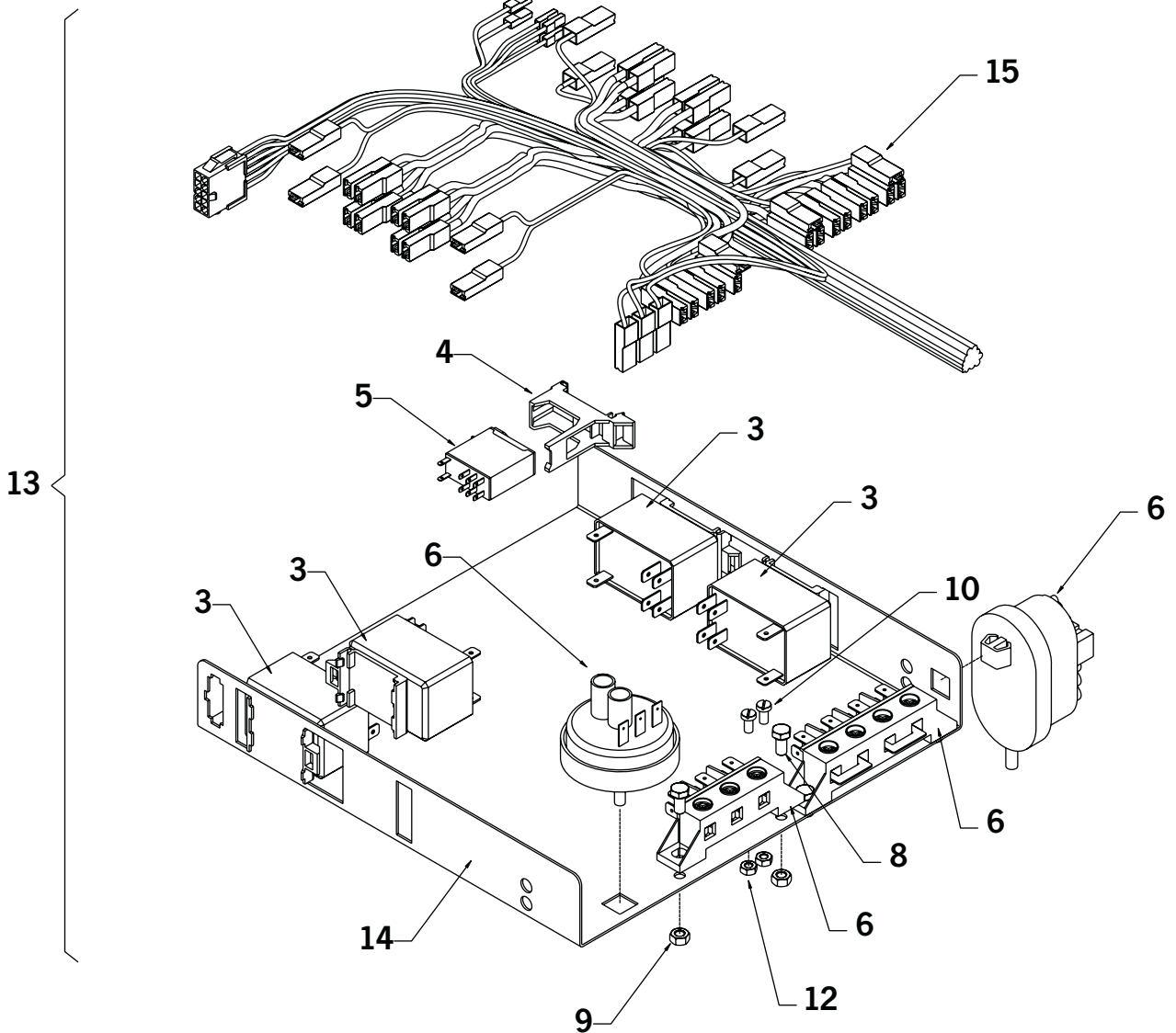
Washing system parts LC-2000

NUMBER	CODE	DENOMINATION
1	A400024	DISTRIBUTOR ASSEMBLY LC-2000/2300/2300TR
2	A700105	UPPER DISTRIBUTOR ASSEMBLY LC-2000 A LC-2800
3	A700106	LOWER DISTRIBUTOR ASSEMBLY LC-1700 A LC-4200
4	A040230	UPPER DISTRIBUTOR
5	A040042	DISTRIBUTOR ELBOW INNER FLAT GASKET
6	A040144	DISTRIBUTOR ELBOW HOLD DOWN NUT
7	A040161	DISTRIBUTOR ELBOW
8	A040231	LOWER DISTRIBUTOR (LC-1500)
9	A060173	DRAIN TUBE FASTENING CLAMP
10	A040233	DISTRIBUTOR KLENAIR-20 SPLICE (INNER Ø 45 OUTER Ø 61MM)
11	A040012	FLAT RUBBER CLAMPING 34*26*2 EXT. D
12	A040057	PRESSURE CONNECTOR FLAT GASKET KLINGERIT
13	A040143	BAYONET TYPE NUT
14	A040050	WASH SHAFT TAPERED GASKET
15	A280024	UPPER WASH SHAFT ASSEMBLY LC-1700/2000
16	A040251	WASH SHAFT LC-1700/2000
17	A040181	BLIND JET STAR
18	A040201	WASH SHAFT JET PLUG
19	A040311	WASH SHAFT SPLICE
20	A060123	DISPENSER STAINLESS STEEL SCREW C/EX. M6*55
21	A280021	LOWER WASH SHAFT ASSEMBLY LC-2000
22	A040180	6MM D. JET STAR
23	A040166	PUMP DISCHARGE ELBOW
24	A060174	SUCTION ELBOW CLAMP
25	A040162	SUCTION ELBOW
26	A330021	1HP PUMP ASSEMBLY WITH RACCORD
27	A020004P	1HP PUMP
28	A020039	AGITATOR SHAFT RETAINER (CERAMIC)
29	A020038	AGITATOR SHAFT RETAINER (SPRING)
30	A020945	CLAMPING MOTORPUMP 1 H
31	A020912	PUMP IMPELLER
32	A020902	PLASTIC PUMP COVER 1HP
33	A040058	PRESSURE CONNECTOR FLAT GASKET
34	A050041I	RINSING AID LIQUID DOSER IMPULSE STARTER STAINLESS STEEL CONNECTOR FROM MODEL LC-1700 UP TO LC-4200
35	A060171	HYDRAULIC TUBE CLAMP
36	A040101	HYDRAULIC CIRCUIT HOSE
37	A030305	1HP PUMP CODENSER
38	A060152	HANDLE INNER M8 TOOTHED WASHER
39	A060003	NUT GALVANIZED M8

Electrical Panel LC-80/LC-140



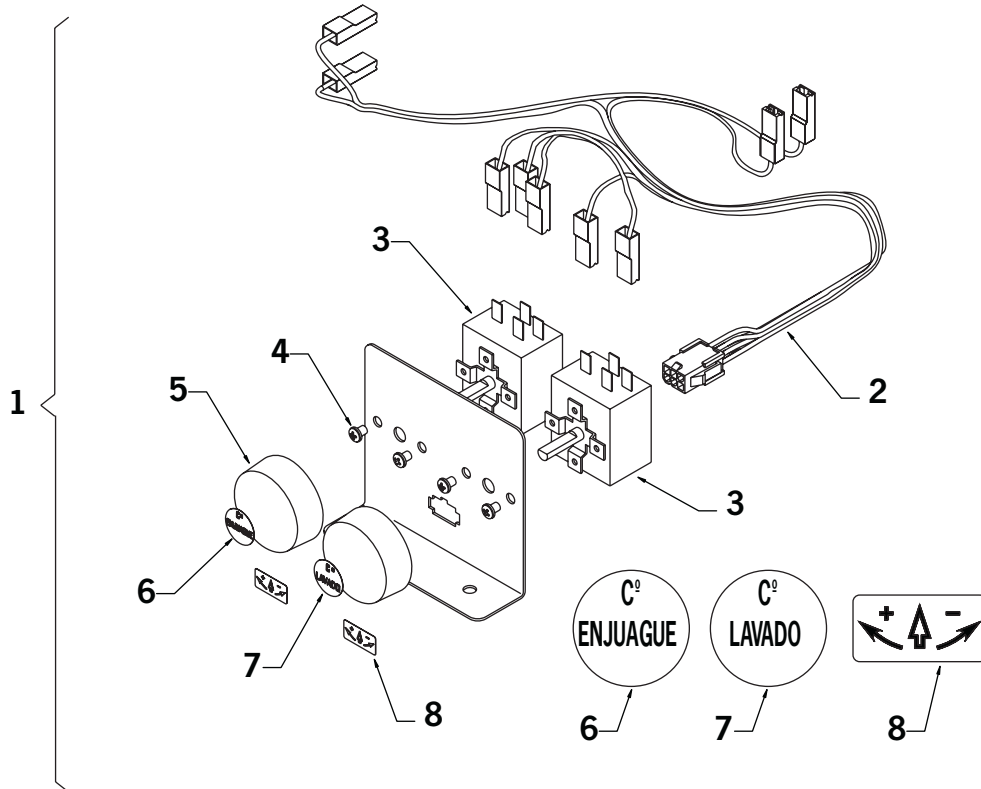
Electrical Panel LC-1000/LC-1500/LC-1700 LC-2000/LC-2300/LC-2600



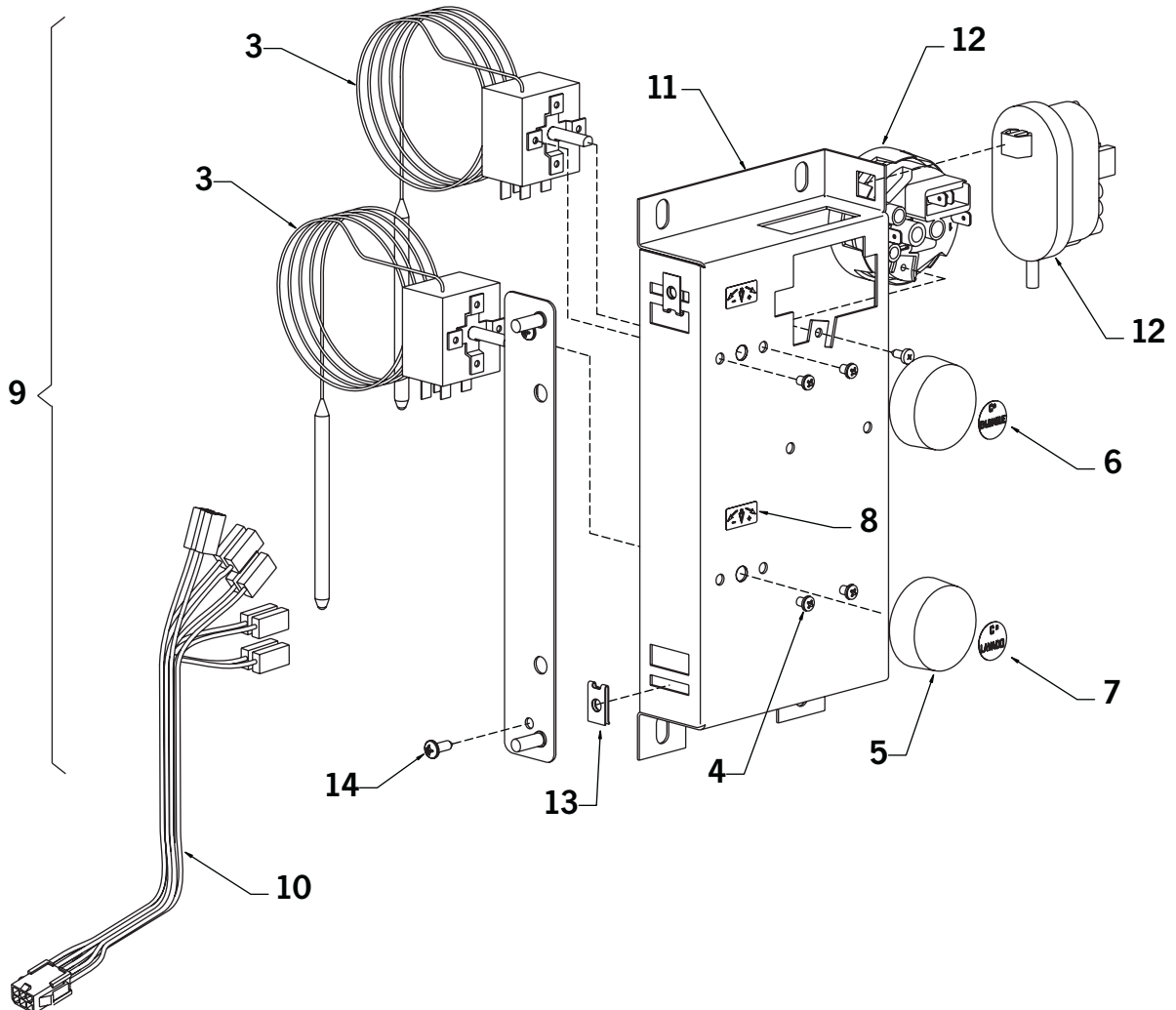
Electrical Panel LC-80 to LC-2600

NUMBER	CODE	DENOMINATION
1	A320046	ELECTRIC PANEL ASSEMBLY LC-80/140
2	A3200462F3	ELECTRIC PANEL FOLDED SUPPORT FROM LC-80/140
3	A030055	POWER RELAY
4	A030057	DIN ADAPTOR
5	A030056	MINI-RELAY
6	A030062	CENTRAL OUTLET PRESSURE SWITCH
7	A030113	TERMINAL STRIP GIBI FV122B (5 POLOS+TT)
8	A060092	GALVANIZED SCREW M5*10 C/E
9	A060050	NUT GALVANIZED M5
10	A060079	RELAY SETSCREW M4 *8/10
11	A060001	NUT GALVANIZED M4
12	A370060	MAIN CABLE BUNDLE LC-80/140
13	A320047	ELECTRIC PANEL ASSEMBLY LC-1000
13	A320048	ELECTRIC PANEL ASSEMBLY LC-1500/1700
13	A320049	ELECTRIC PANEL ASSEMBLY LC-2000/2300
13	A320051	ELECTRIC PANEL ASSEMBLY LC-2600
14	A3200472F3	ELECTRIC PANEL FOLDED SUPPORT FROM LC-1000 TO LC-2600
15	A370061	MAIN CABLE BUNDLE LC-1000
15	A370062	MAIN CABLE BUNDLE LC-1500/1700
15	A370063	MAIN CABLE BUNDLE LC-2000/2300
15	A370064	MAIN CABLE BUNDLE LC-2600

Thermostats panel LC-1000/LC-1500/LC-1700 LC-2000/LC-2300/LC-2300TR/LC-2600/LC-2800



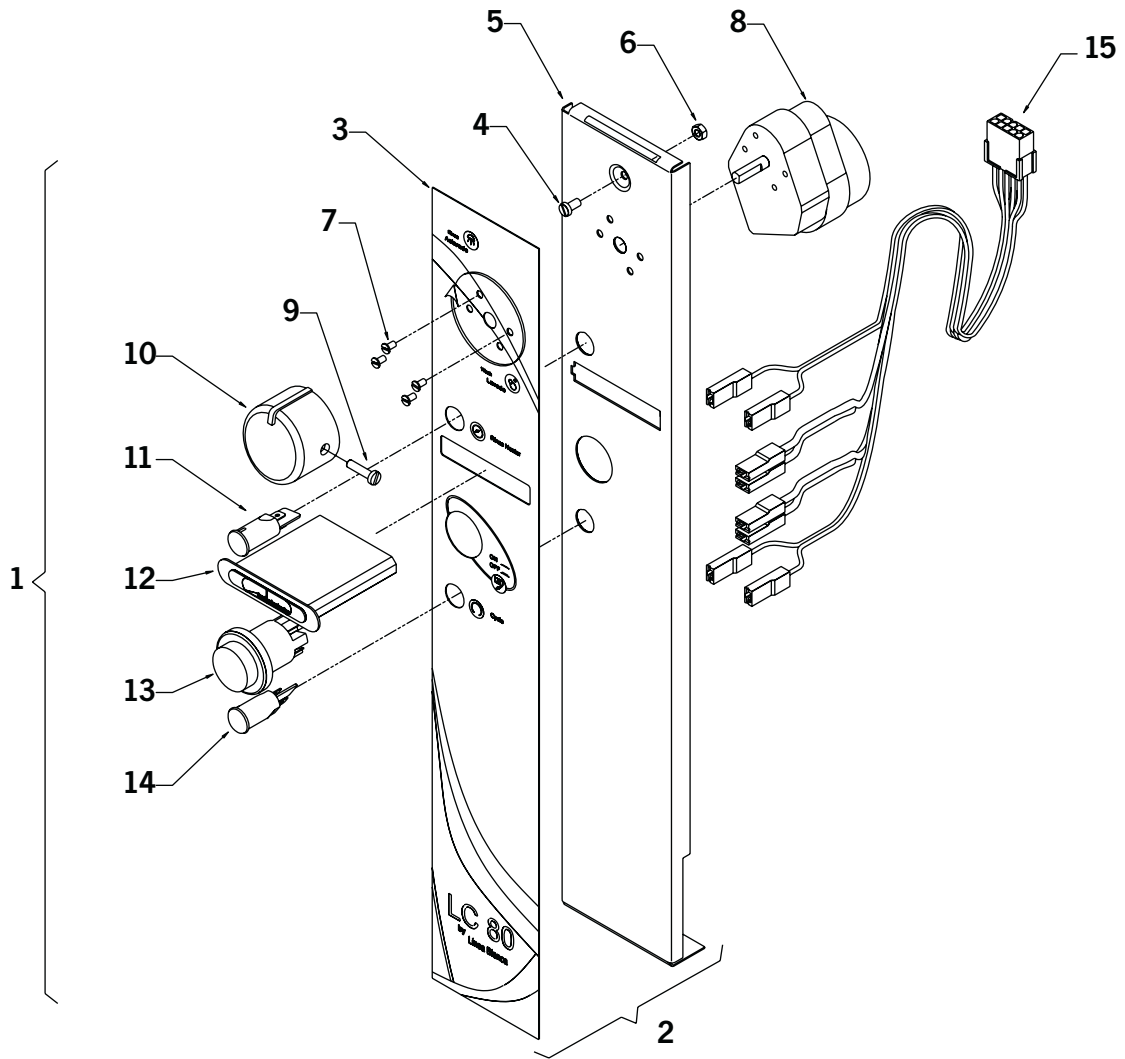
Thermostats panel LC-3800/LC-4200



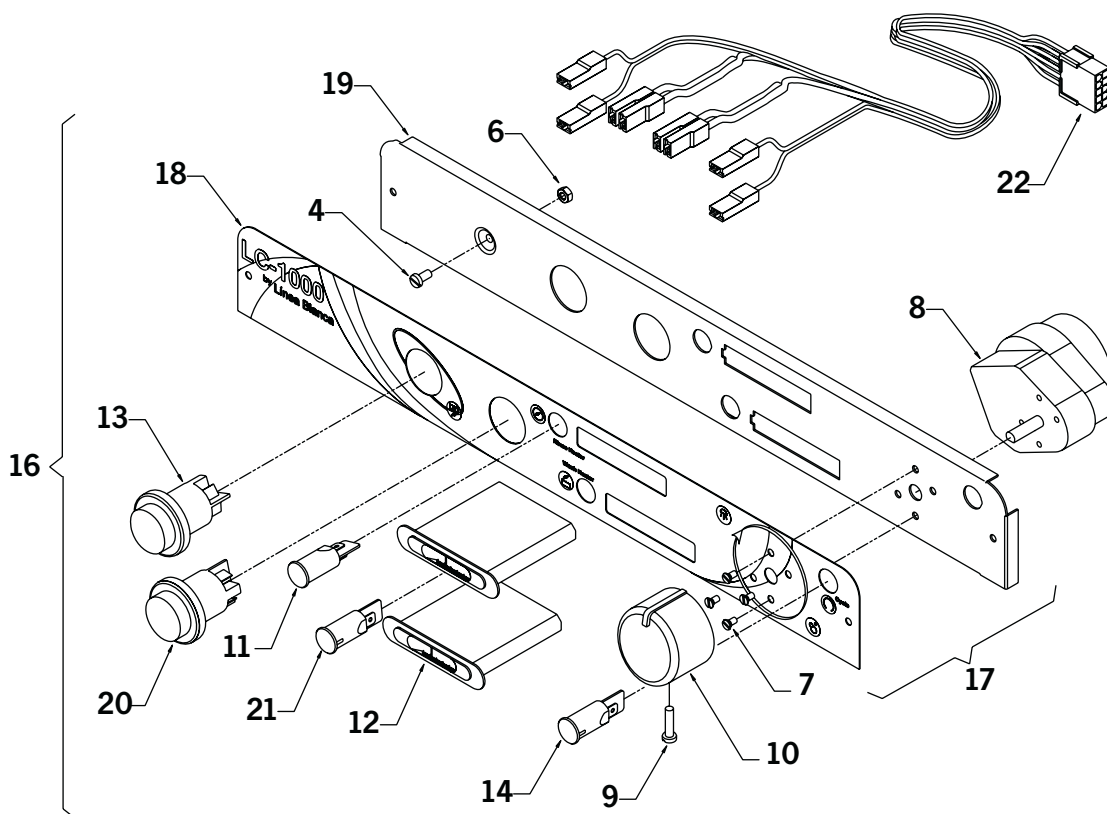
Thermostats panel LC-1000 to LC-4200

NUMBER	CODE	DENOMINATION
1	A320053	THERMOSTATS PANEL ASSEMBLY LC-1000
1	A320054	THERMOSTATS PANEL ASSEMBLY FROM LC-1500 TO LC-2800
2	A370055	THERMOSTAT CABLE BUNDLE (FROM LC-1000 TO LC-2800)
3	A030067	THERMOSTAT
4	A060078	GALVANIZED SCREW C/R M4*5
5	A030068	0-90° THERMOSTATIC CONTROL
6	A071107	THERMOSTAT RINSE ROUND STICKER (SPANISH)
7	A071108	THERMOSTAT WASH ROUND STICKER (SPANISH)
8	A071116	THERMOSTAT TEMPERATURE INDICATOR STICKER
9	A320042	THERMOSTATS PANEL ASSEMBLY LC-3800
9	A320043	THERMOSTATS PANEL ASSEMBLY LC-4200
10	A370008C	THERMOSTAT CABLE BUNDLE LC-3800
10	A370009C	THERMOSTAT CABLE BUNDLE LC-4200
11	A007072F2	FOLDED ELECTRIC CONTROL SUPPORT LC-3800/4200
12	A030058	ADJUSTABLE PRESSURE SWITCH 183/81 LC3800
13	A060041	U LOCK NUT TR-536 B
14	A060123	DISPENSER STAINLESS STEEL SCREW C/EX. M6*55

Control Panel LC-80/LC-140



Control Panel LC-1000/LC-1500/LC-1700/LC-2000 LC-2300/LC-2300TR/LC-2600/LC-2800

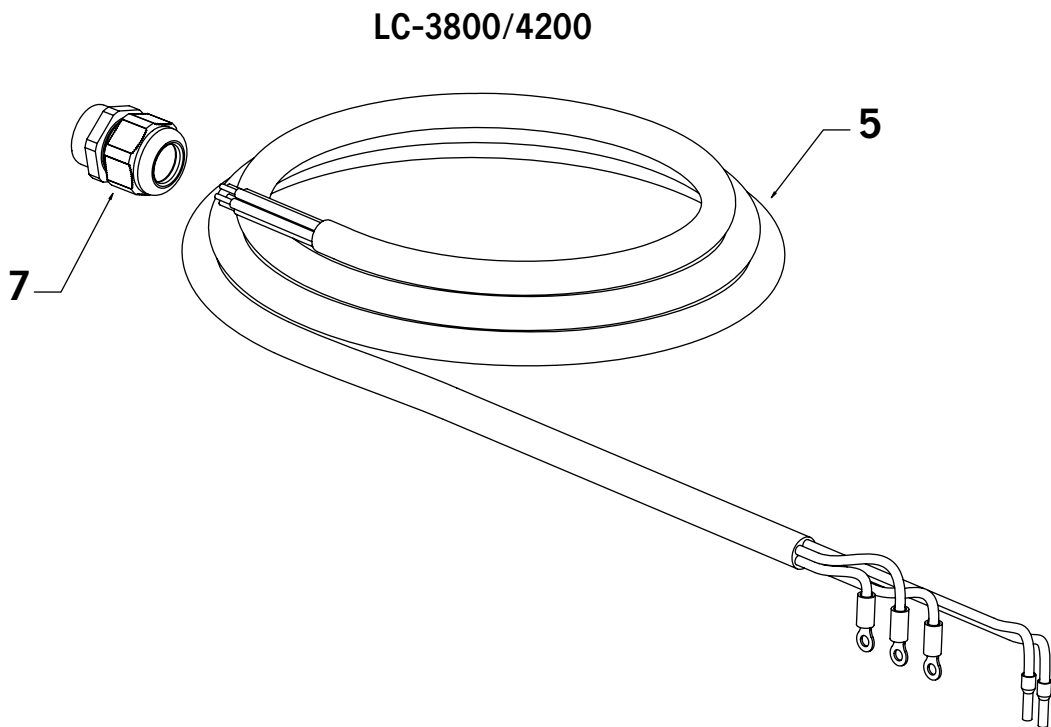
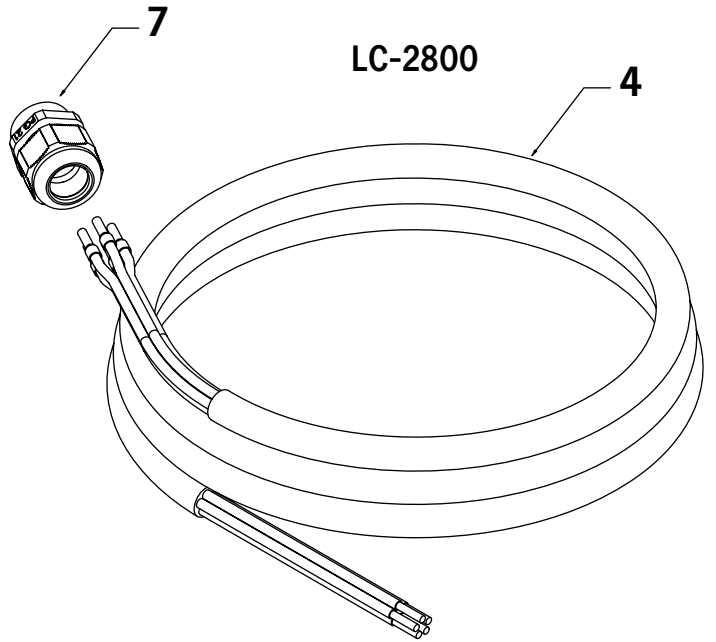
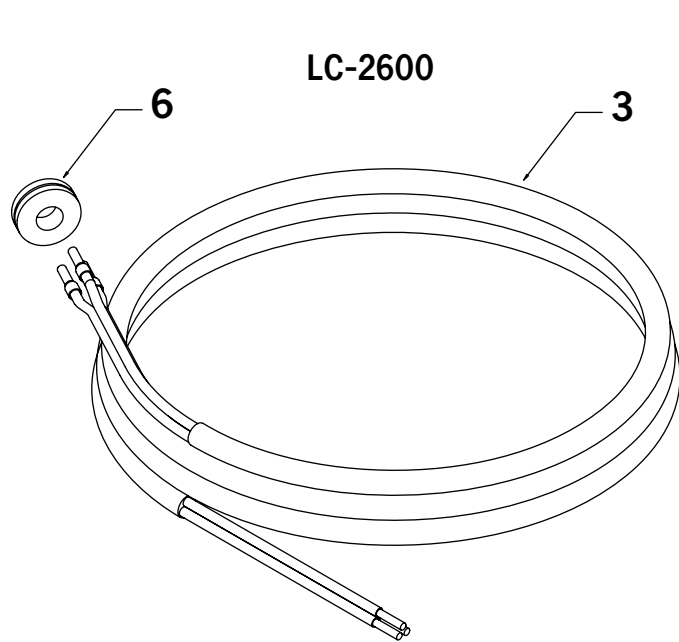
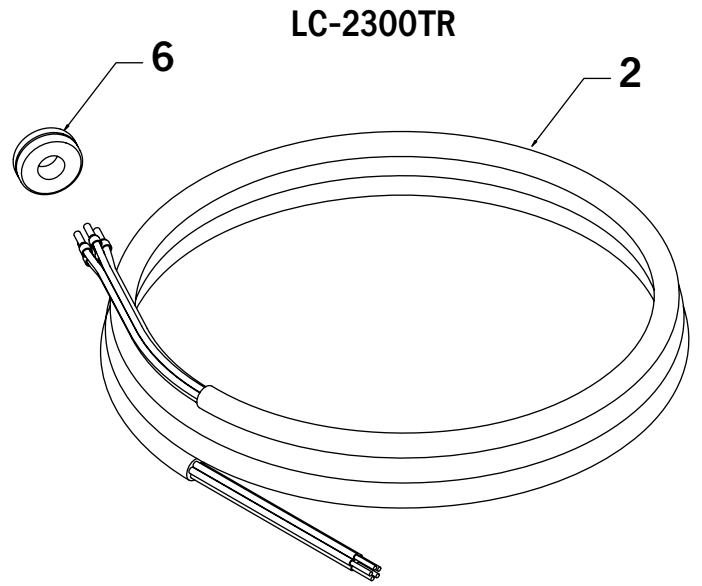
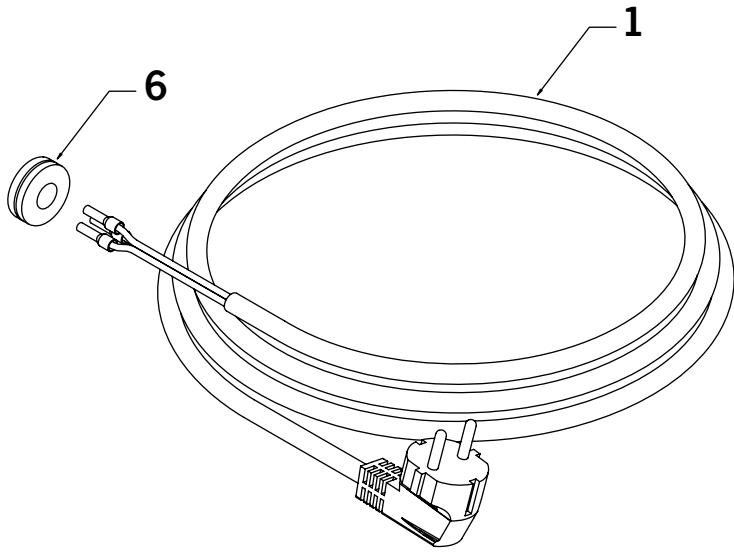


Control Panel LC-80 to LC-2800

NUMBER	CODE	DENOMINATION
1	A320019/1	CONTROL PANEL ASSEMBLY LC-80 WITH TEMPERATURE INDICATOR
1	A320014/1	CONTROL PANEL ASSEMBLY LC-140 WITH TEMPERATURE INDICATOR
2	A700020/1	CONTROL PANEL (FOR TEMPERATURE INDICATOR) ASSEMBLY LC-80 (WITHOUT COMPONENTS)
2	A700026/1	CONTROL PANEL (FOR TEMPERATURE INDICATOR) ASSEMBLY LC-140 (WITHOUT COMPONENTS)
3	A070709T	THERMOMETER CONTROL PANEL STICKER LC-80
3	A070701T	THERMOMETER CONTROL PANEL STICKER LC-140
4	A060079	RELAY SETSCREW M4 *8/10
5	A3200192F3/1	FOLDED PANEL LC-80 FOR TEMPERATURE INDICATORS WITHOUT COMPONENTS
5	A3200142F3/1	FOLDED PANEL LC-140 WITH TEMPERATURE INDICATOR
6	A060001	NUT GALVANIZED M4
7	A060100	PROGRAMMER SETSCREW M3*6 D963
8	A030060	PROGRAMMER
9	A060114	STAINLESS STEEL SCREW DIN 84 M4*16
10	A080073	TIMER ROTATION BUTTON
11	A030097	RED PILOT LIGHT D222 220VFAST.6,3 LED
12	A030087	RECTANGULAR LIQUID EXPANSION THERMOMETER
13	A030049C	GREEN ROUND SWITCH WITH PROTECTOR
14	A030098	AMBER PILOT LIGHT D222 220VFAST.6,3 LED
15	A370050	CONTROL PANEL CABLE BUNDLE LC-80/140
16	A320024/1	CONTROL PANEL ASSEMBLY LC-1000 WITH TEMPERATURE INDICATORS
16	A320020/1	CONTROL PANEL ASSEMBLY LC-1500 WITH TEMPERATURE INDICATORS
16	A320015/1	CONTROL PANEL ASSEMBLY LC-1700 WITH TEMPERATURE INDICATORS
16	A320021/1	CONTROL PANEL ASSEMBLY LC-2000 WITH TEMPERATURE INDICATORS
16	A320017/1	CONTROL PANEL ASSEMBLY LC-2300 WITH TEMPERATURE INDICATORS
16	A320016/1	CONTROL PANEL ASSEMBLY LC-2300TR WITH TEMPERATURE INDICATORS
16	A320022/1	CONTROL PANEL ASSEMBLY LC-2600 WITH TEMPERATURE INDICATORS
16	A320023/1	CONTROL PANEL ASSEMBLY LC-2800 WITH TEMPERATURE INDICATORS
17	A700015/1	CONTROL PANEL (FOR TEMPERATURE INDICATOR) ASSEMBLY LC-1000 (WITHOUT COMPONENTS)
17	A700016/1	CONTROL PANEL (FOR TEMPERATURE INDICATOR) ASSEMBLY LC-1500 (WITHOUT COMPONENTS)
17	A700022/1	CONTROL PANEL (FOR TEMPERATURE INDICATOR) ASSEMBLY LC-1700 (WITHOUT COMPONENTS)
17	A700017/1	CONTROL PANEL (FOR TEMPERATURE INDICATOR) ASSEMBLY LC-2000 (WITHOUT COMPONENTS)
17	A700021/1	CONTROL PANEL (FOR TEMPERATURE INDICATOR) ASSEMBLY LC-2300 (WITHOUT COMPONENTS)
17	A700023/1	CONTROL PANEL (FOR TEMPERATURE INDICATOR) ASSEMBLY LC-2300TR (WITHOUT COMPONENTS)
17	A700018/1	CONTROL PANEL (FOR TEMPERATURE INDICATOR) ASSEMBLY LC-2600 (WITHOUT COMPONENTS)
17	A700019/1	CONTROL PANEL (FOR TEMPERATURE INDICATOR) ASSEMBLY LC-2800 (WITHOUT COMPONENTS)
18	A070710T	THERMOMETER CONTROL PANEL STICKER LC-1000
18	A070707T	THERMOMETER CONTROL PANEL STICKER LC-1500
18	A070708T	THERMOMETER CONTROL PANEL STICKER LC-1700
18	A070702T	THERMOMETER CONTROL PANEL STICKER LC-2000
18	A070703T	THERMOMETER CONTROL PANEL STICKER LC-2300
18	A070704T	THERMOMETER CONTROL PANEL STICKER LC-2300TR
18	A070705T	THERMOMETER CONTROL PANEL STICKER LC-2600
18	A070706T	THERMOMETER CONTROL PANEL STICKER LC-2800
19	A3200242F3/1	FOLDED PANEL LC-1000 FOR TEMPERATURE INDICATORS WITHOUT COMPONENTS
19	A3200202F3/1	FOLDED PANEL LC-1500/1700 FOR TEMPERATURE INDICATORS WITHOUT COMPONENTS
19	A3200172F3/1	FOLDED PANEL LC-2000/2300/2300TR FOR TEMPERATURE INDICATORS WITHOUT COMPONENTS
19	A3200222F3/1	FOLDED PANEL LC-2600/2800 FOR TEMPERATURE INDICATORS WITHOUT COMPONENTS
20	A0300492C	AMBER ROUND SWITCH WITH PROTECTOR
21	A030099	GREEN PILOT LIGHT D222 220VFAST.6,3 LED
22	A370051	CONTROL PANEL CABLE BUNDLE (FROM LC-1000 TO LC-2800)

Electrical Hose

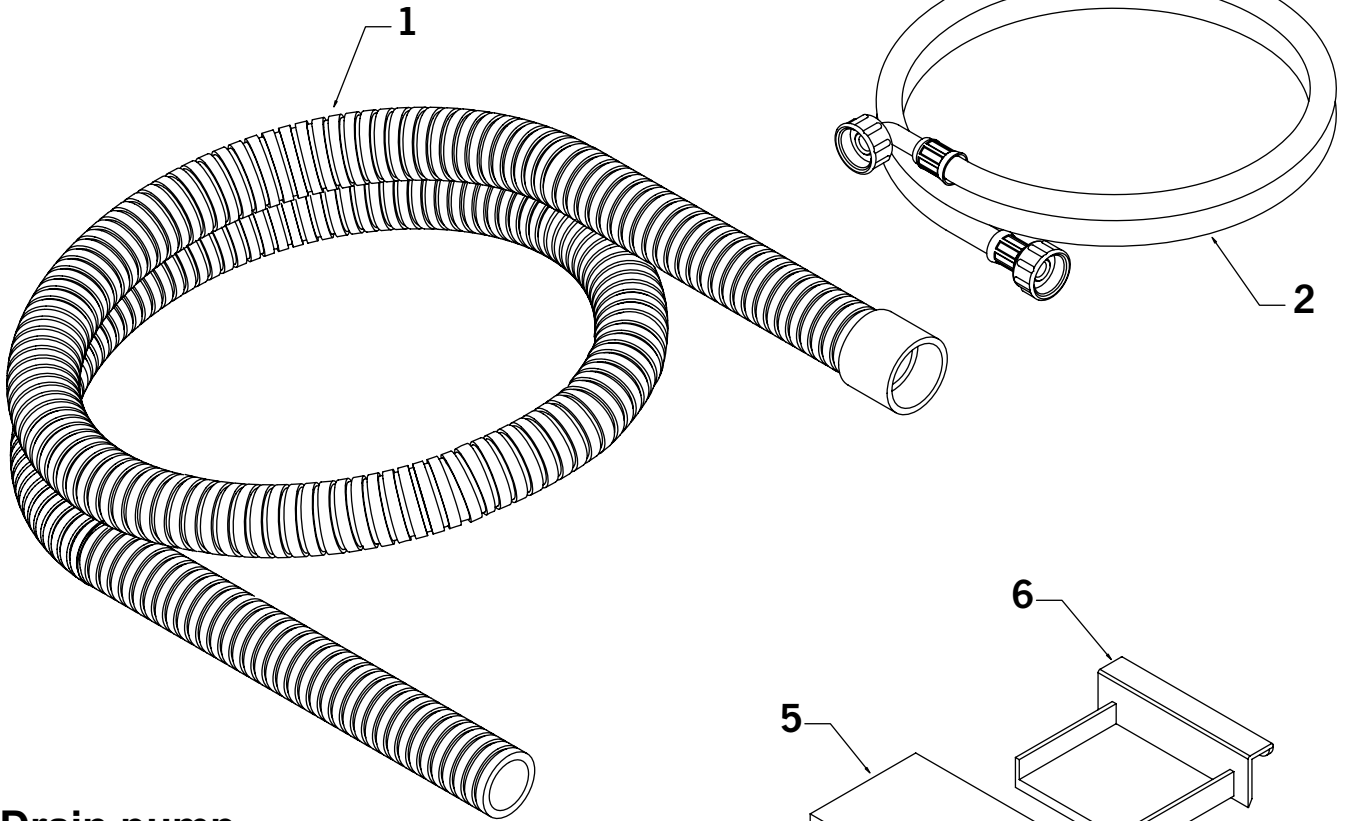
LC-80/140/1000/1500/1700/2000/2300



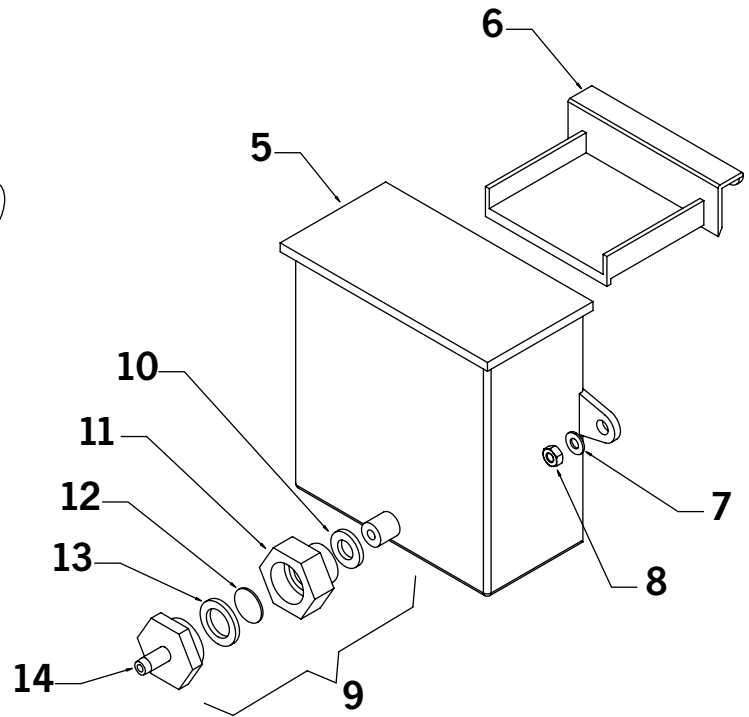
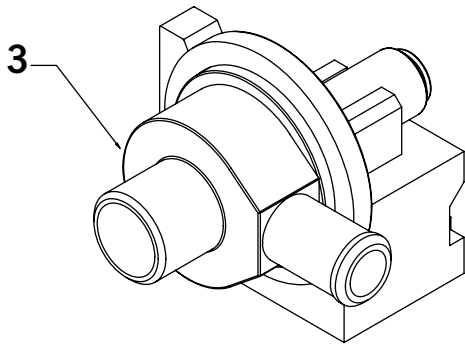
Electrical Hose

NUMBER	CODE	DENOMINATION
1	A030083	ELECTRICAL HOSE WITH PLUG
2	A360017	ELECTRIC CONNECTION CABLE LC-2300TR
3	A360051	ELECTRIC CONNECTION CABLE LC-2600
4	A360022	ELECTRIC CONNECTION CABLE LC-2800
5	A360007	ELECTRIC CONNECTION CABLE LC-3800/4200
6	A040301	WIRE CARRIER (LC-80/140/1000/1500/1700/2000/2300/2300TR/2600)
7	A030065	HOSE CLAMP STUFFING BOX (LC-2800/3800/4200)

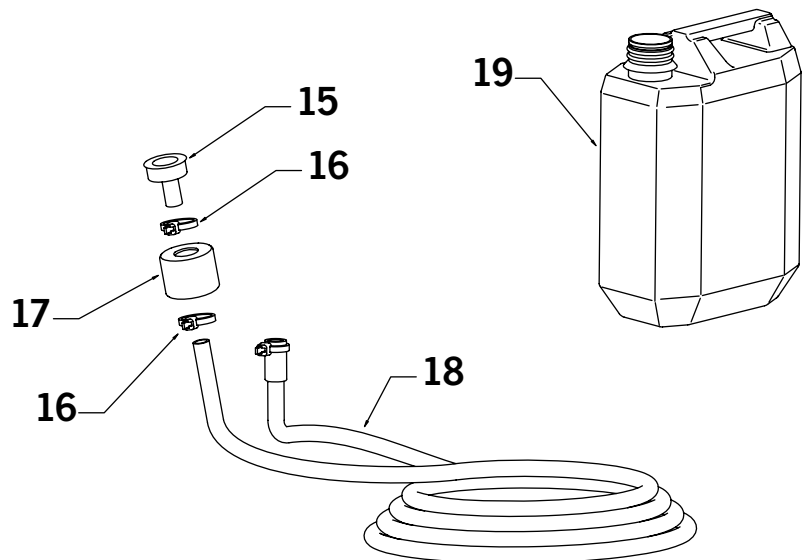
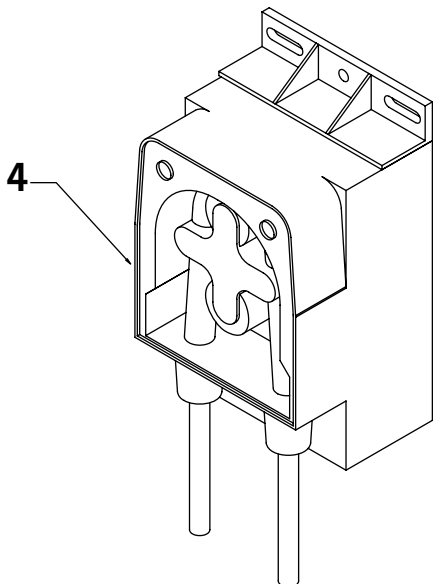
Water connections



Drain pump



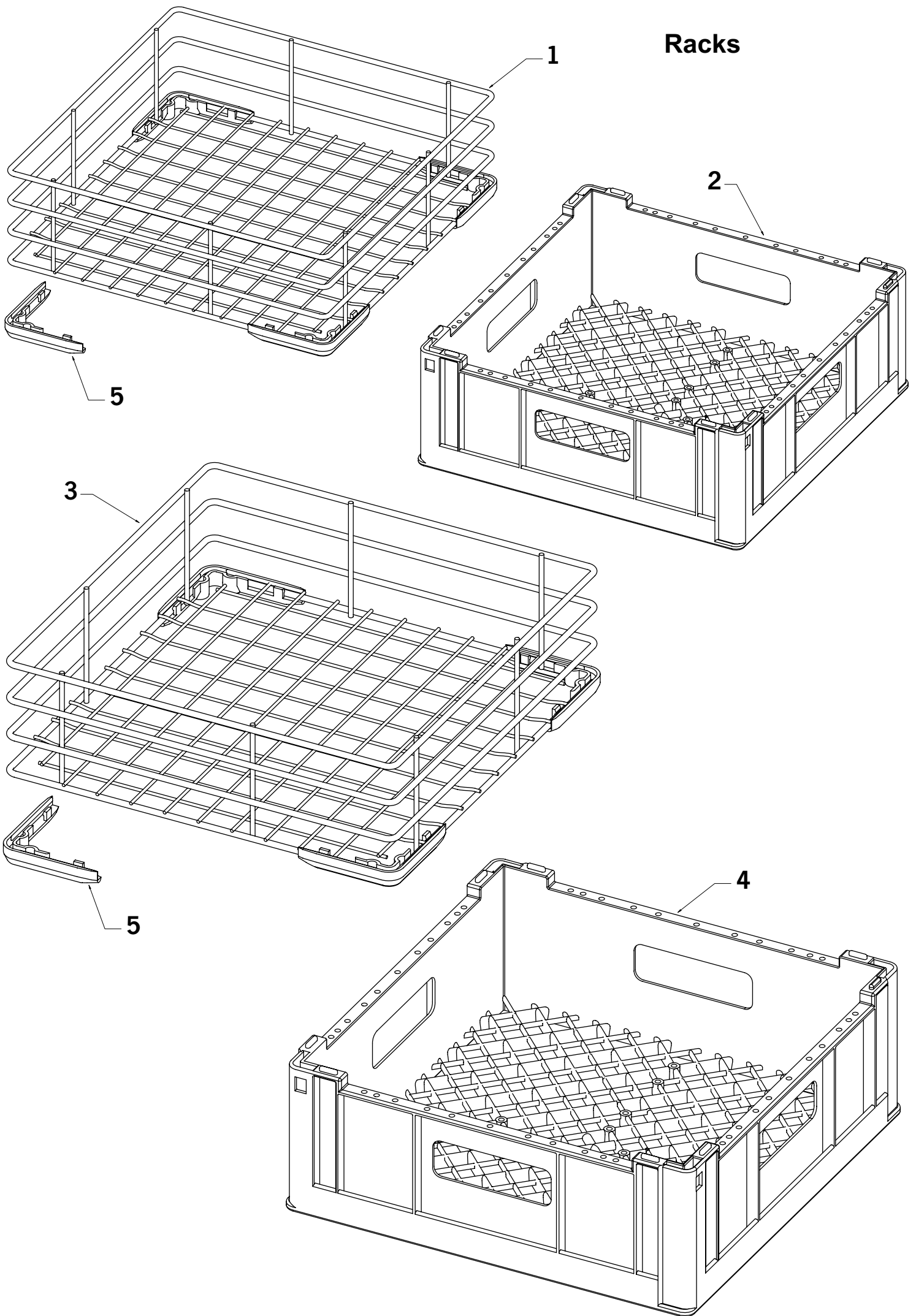
Detergent doser



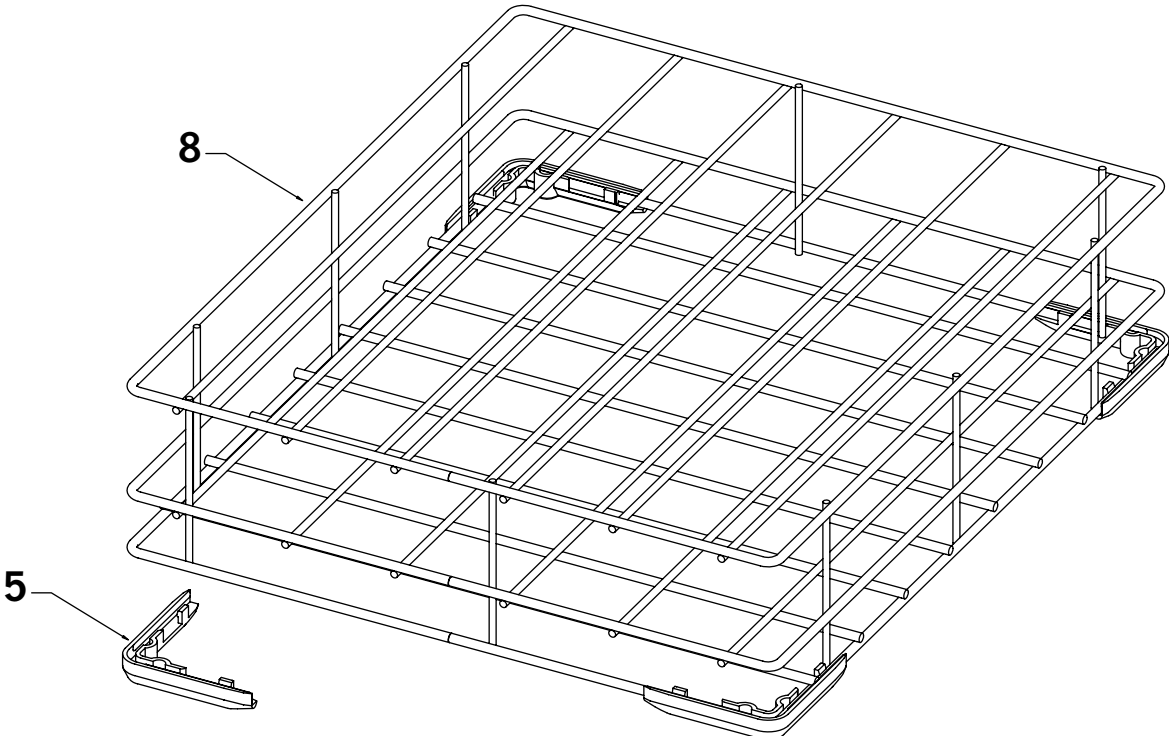
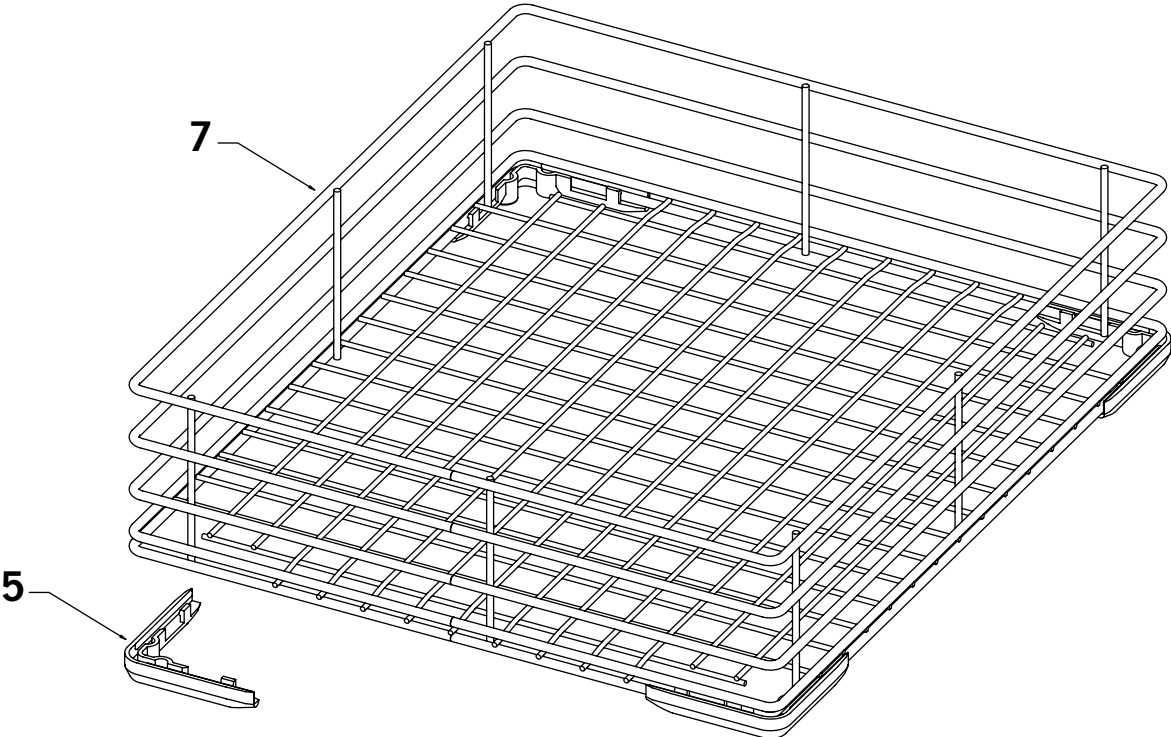
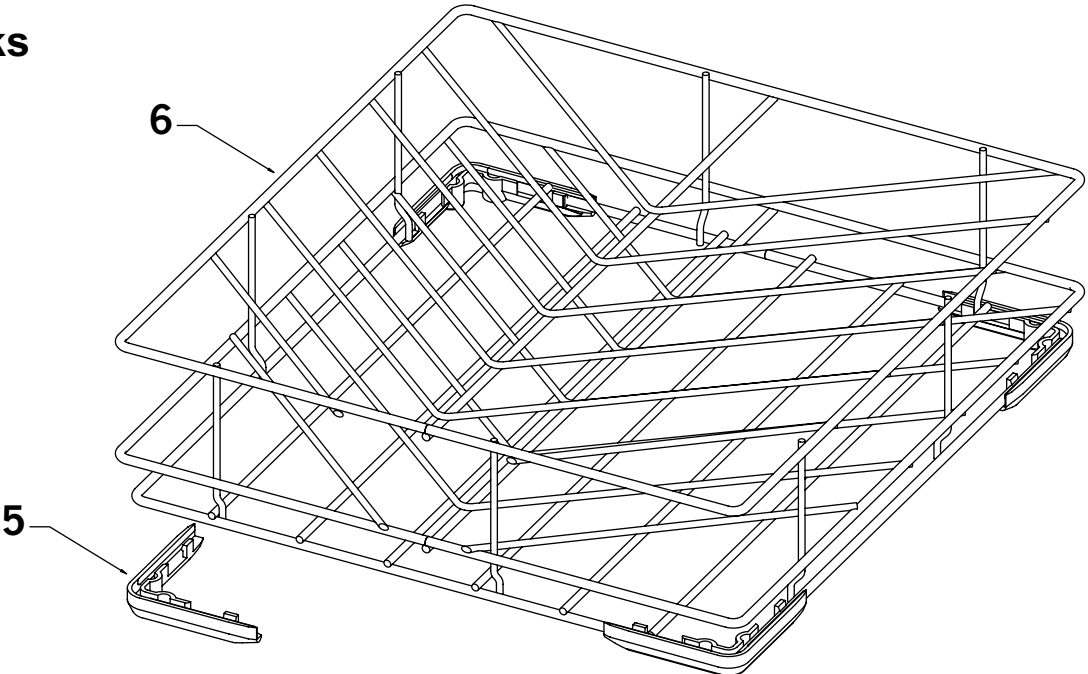
Shared Elements

NUMBER	CODE	DENOMINATION
1	A040282G	DRAINING HOSE 2 MTS. (LC-3800/4200)
1	A040280	DRAIN HOSE 1,5 M LC-80/140/1000/1500/1700/2000/2300/2300TR/2600/2800)
2	A040283	WATER INTAKE HOSE (LC-3800/4200)
2	A040281	1,5 M WATER INTAKE HOSE (LC-80/140/1000/1500/1700/2000/2300/2300TR/2600/2800)
3	A020015	DRAIN PUMP
4	A040067	AUTOMATIC DETERGENT DOSER
5	A700113	RINSING AID LIQUID TANK
6	A040219	RINSING AID LIQUID TANK GUIDE
7	A060163	RINSE AID LIQUID TANK ZINCING WASHER 4M
8	A060001	NUT GALVANIZED M4
9	A200002	RINSE AID FILTER ASSEMBLY
10	A040037	FLAT RUBBER GASKET 15*8*2
11	A040126	RINSE AID LIQUID FILTER TANK CONNECTOR
12	A050007	RINSING AID LIQUID STEEL LATICE FILTER
13	A040038	RINSE AID FILTER INTERIOR RUBBER GASKET
14	A040127	RINSING AID LIQUID OUTLET CONNECTOR
15	A040325	RINSING AID LIQUID DOSER PLASTIC FILTER
16	A070303	NYLON Q-TIES REF.: 2221
17	A050190	STAINLESS STEEL DOOR STOP REF.20X15-0,8
18	A040105	PLASTIC TUBE
19	A040224	RINSING AID LIQUID TANK (LC-80/140)

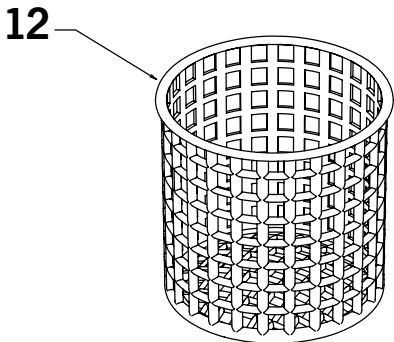
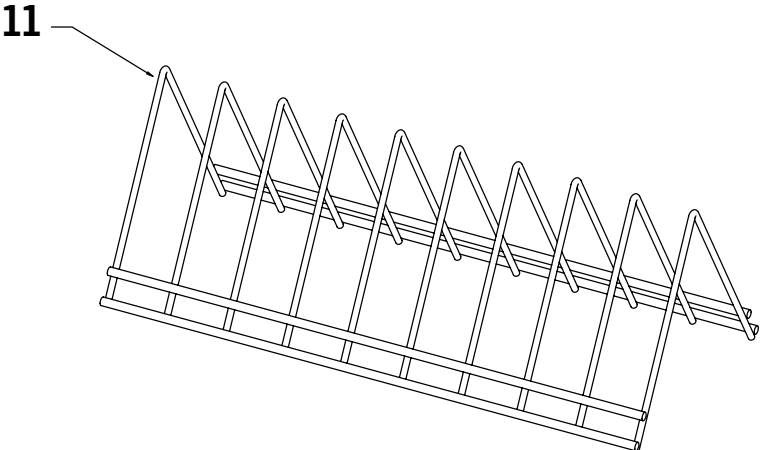
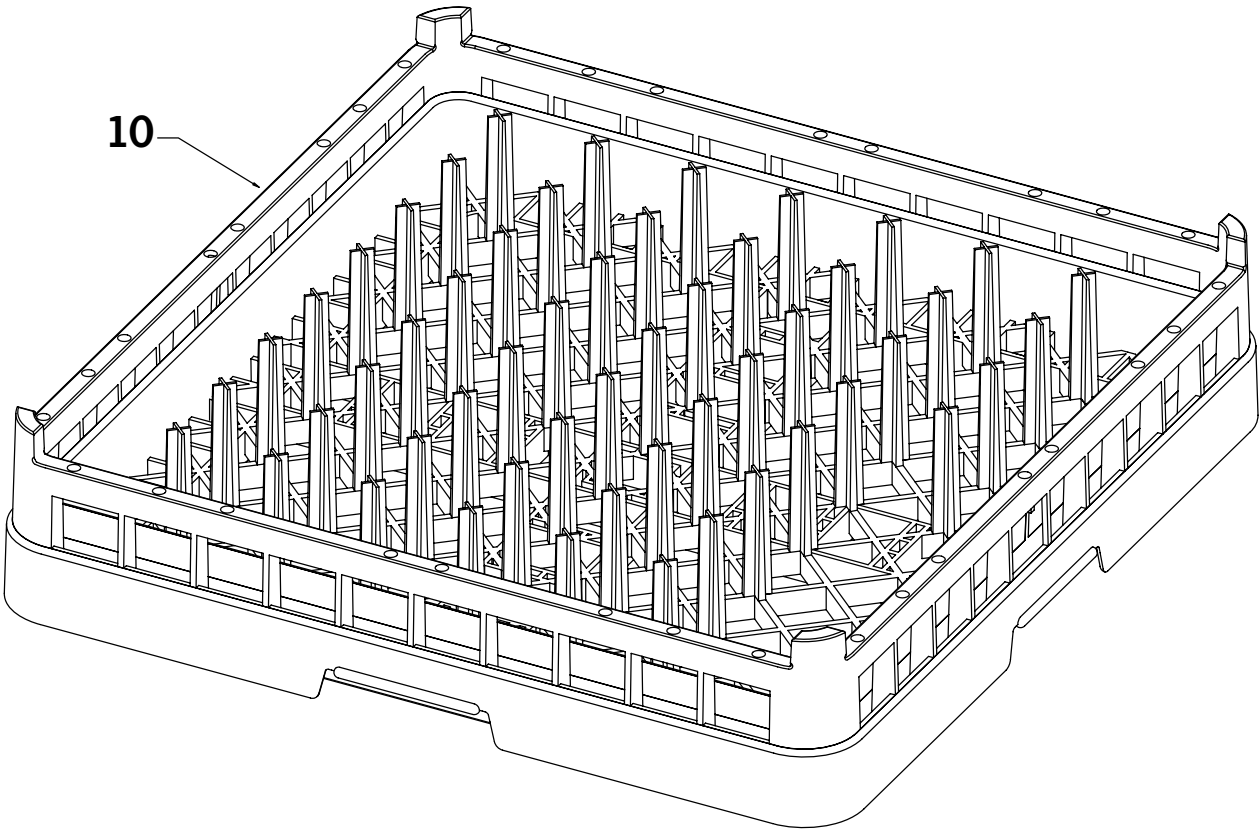
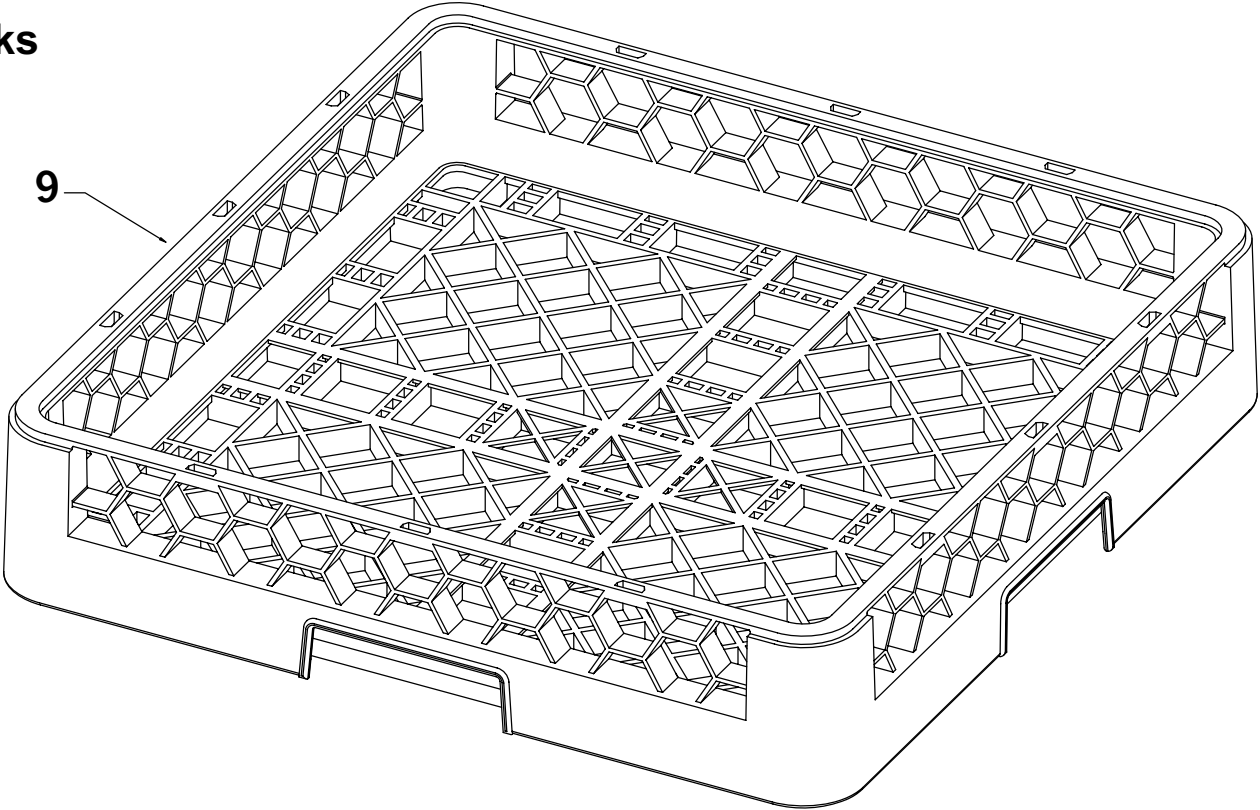
Racks



Racks



Racks



Racks

NUMBER	CODE	DENOMINATION
1	A050350	RACK FOR GLASSES (RODS) (OPTIONAL LC-80/1000)
2	A050350P	RACK FOR GLASSES (PLASTIC) (LC-80/1000)
3	A050306	WIRE RACK FOR GLASSES (400X400) (OPTIONAL LC-140/1500/1700)
4	A050306P	RACK FOR GLASSES (PLASTIC) (LC-140/1500/1700)
5	A040242	PLASTIC CORNERS (LC-80/1000/1500/1700/2000)
6	A050341	WIRE RACK FOR SMALL SIZE COFFEE DISHES (LC-1700 AND OPTIONAL FOR LC-1500)
7	A050307	WIRE RACK FOR GLASSES LC-2000
8	A050320	WIRE RACK FOR DISHES LC-2000
9	A050308	RACK FOR GLASSES (PLASTIC) 500X500 (LC-2300/2300TR/2600/2800/3800/4200)
10	A050321	RACK FOR DISHES (PLASTIC) 500X500MM (LC-2300/2300TR/2600/2800/3800/4200)
11	A050345	SMALL RACK FOR DISHES (LC-80/140/1000/1500/3800/4200)
12	A050346	CUTLERY BASKET (FOR ALL MODELS)